

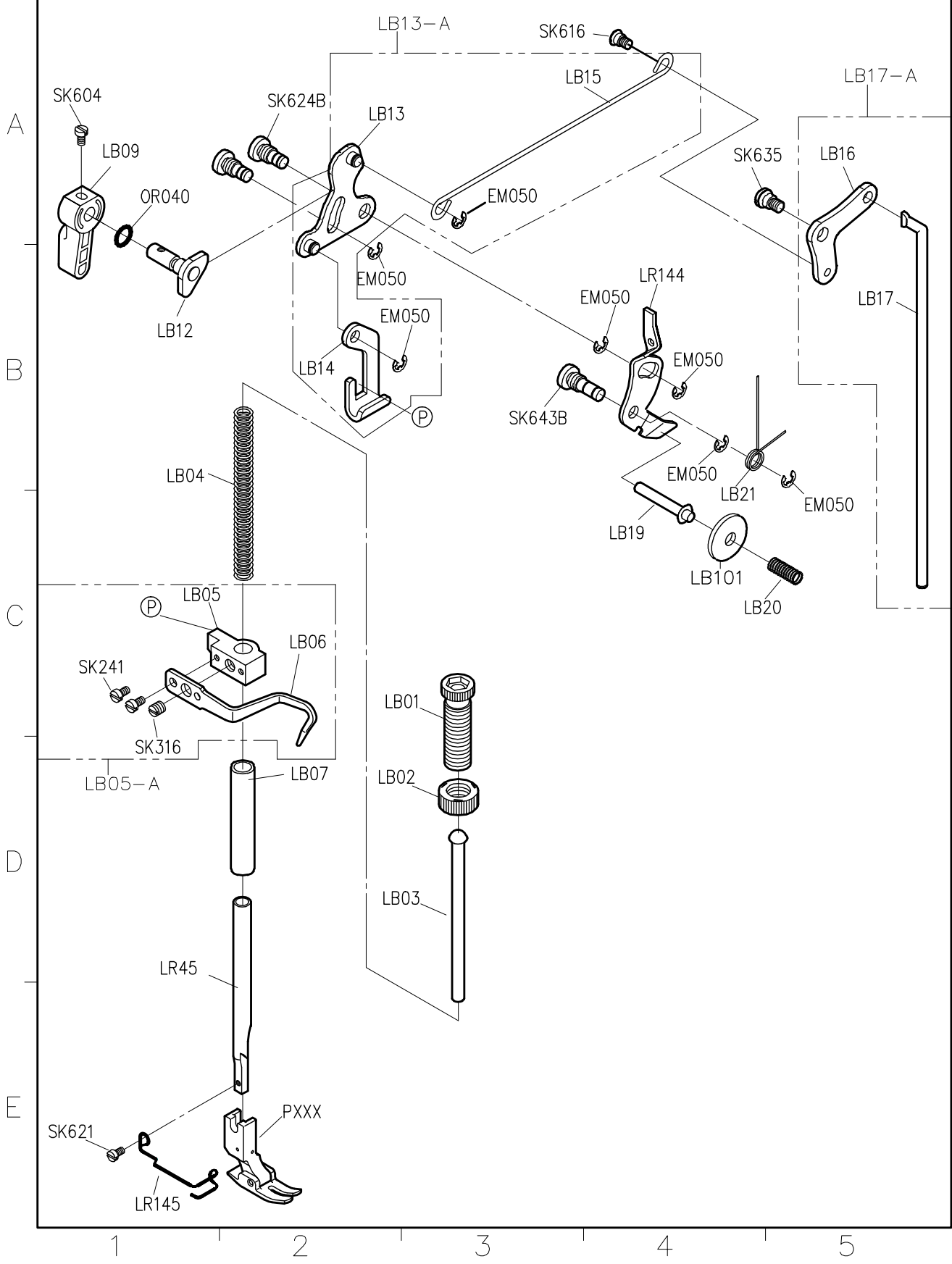
SIRUBA GAGE PARTS LIST	Series	Remark	Page	Date
	L918	RM1	1/1	2012/11/01

L918-RM1 規格件表 / CONVERSION CHART

MODEL	SUB-CLASS	GUAGE WIDTH	NEEDLE PLATE	FEED DOG	PRESSER FOOT	HOOK ASM	BOBBIN CASE ASM	BOBBIN	THROAT PLATE CHIP GUARD	NEEDLE	THREAD GUIDE	THROAT PLATE COVER
機 型	規 格	切邊距離	針 板	送 具	押 具	梭 頭	梭 殼	梭 子	下導布架	針 號	導線片	布板蓋
L918-RM1-32	32	1/8"(3.2mm)	E705Q	D705	P705	G111	G201	G301	LR104DS	DBX1#14	LR141S	(LR106-E)
L918-RM1-40	40	5/32"(4.0mm)	E705R (E705Q)	D705	P705	G111	G201	G301	LR104DS	DBX1#14	LR141S	(LR106-E)
L918-RM1-48	48	3/16"(4.8mm)	E705 (E705Q)	D705	P705	G111	G201	G301	LR104DS	DBX1#14	LR141S	(LR106-E)
L918-RM1-64	64	1/4"(6.4mm)	E705S (E705Q)	D702 (D705)	P701 (P705)	G111	G201	G301	LR104D (LR104D\$)	DBX1#14	LR141S	(LR106-E) (LR106\$)
L918-RM1-95	95	3/8"(9.5mm)	E705T (E705Q)	D702 (D705)	P701 (P705)	G111	G201	G301	LR104D (LR104D\$)	DBX1#14	LR141S	(LR106-E) (LR106\$)

() 之規格件放於夾鏈袋裝于成車箱內, BOM 表編號40站。

SIRUBA PARTS LIST	Series	Parts Group	Subclass / Remark	Page
	L918-RM1	LB		1/1
				Date
				2012/11/01



SIRUBA PARTS LIST	Series	Parts Group	Subclass / Remark	Page
	L918-RM1	LC		1/1
				Date
				2012/11/01

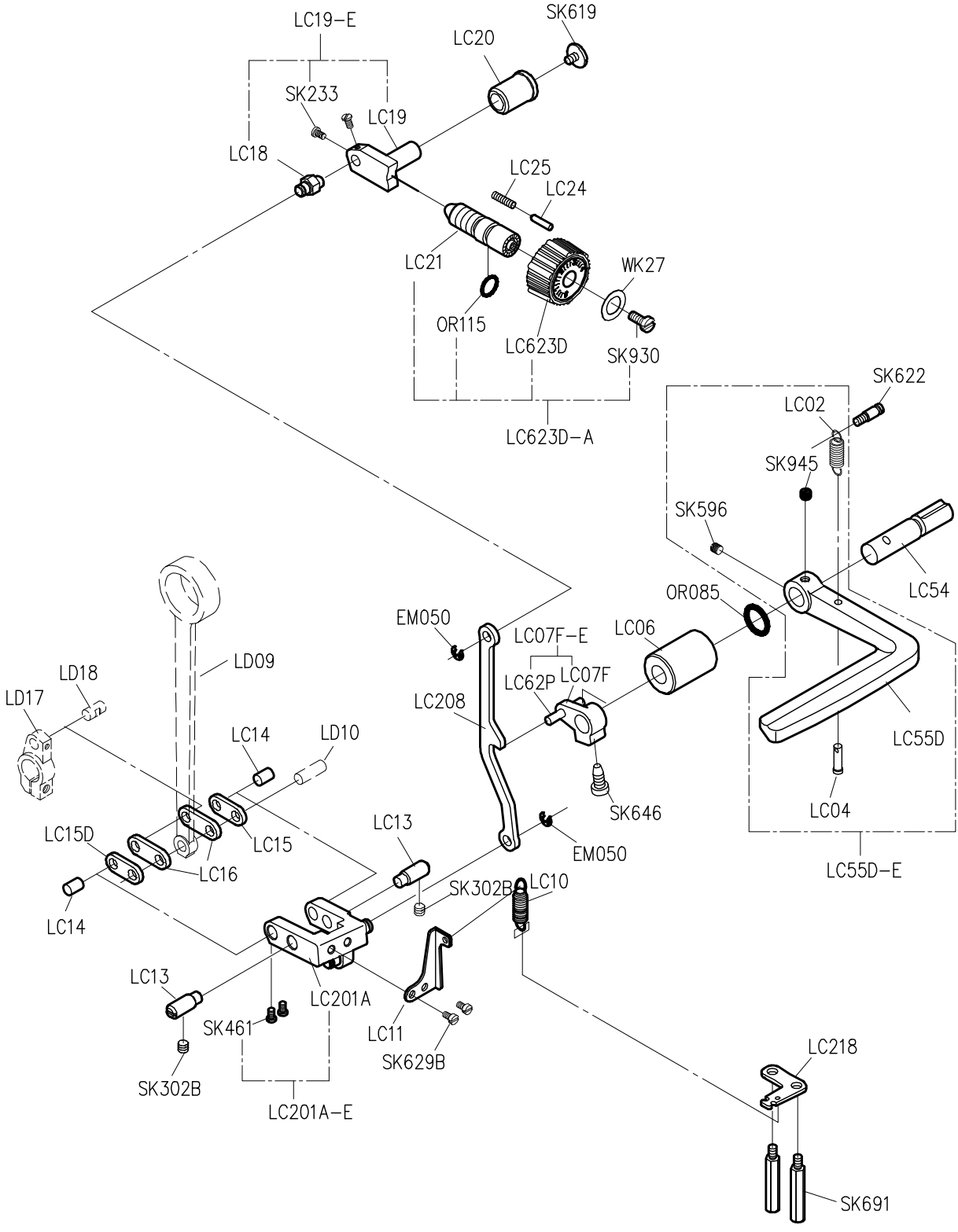
A

B

C

D

E



1

2

3

4

5

SIRUBA PARTS LIST	Series	Parts Group	Subclass / Remark	Page
	L918-RM1	LD		1/1
				Date
				2012/11/01

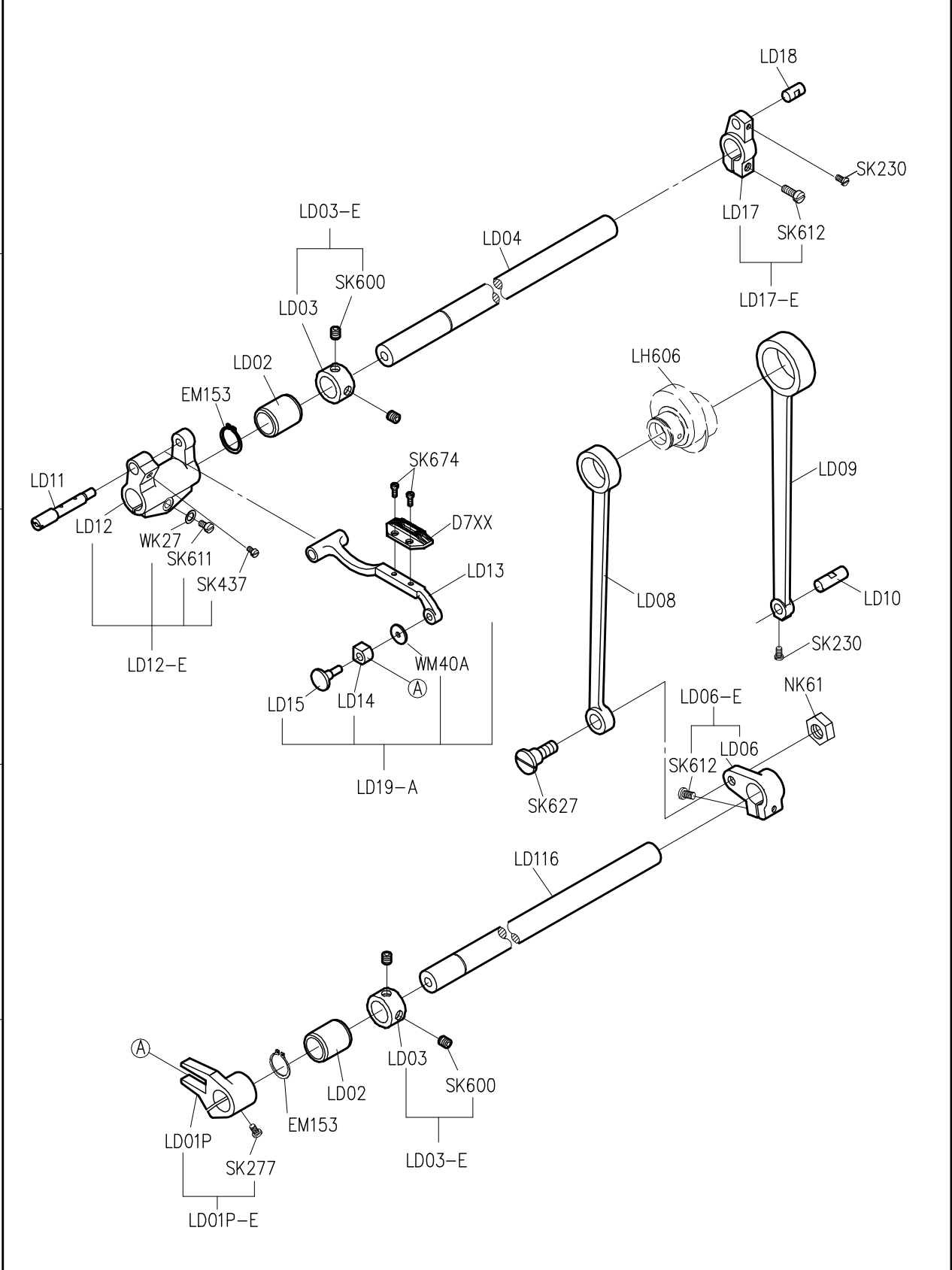
A

B

C

D

E



1

2

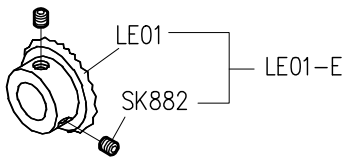
3

4

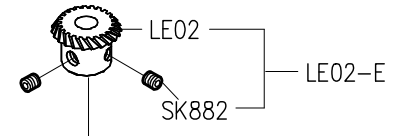
5

SIRUBA PARTS LIST	Series	Parts Group	Subclass / Remark	Page
	L918-RM1	LE		1/1
				Date
				2013/01/10

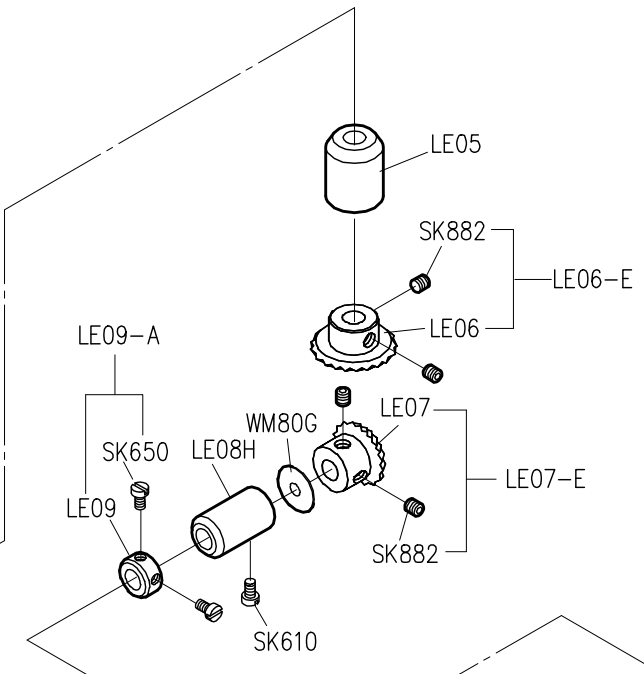
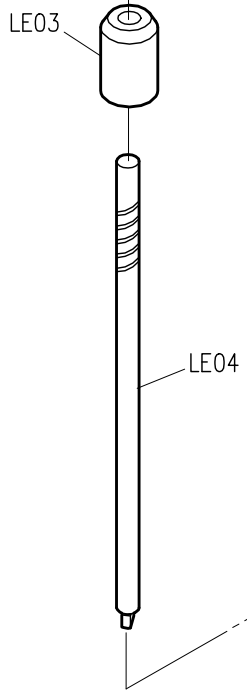
A



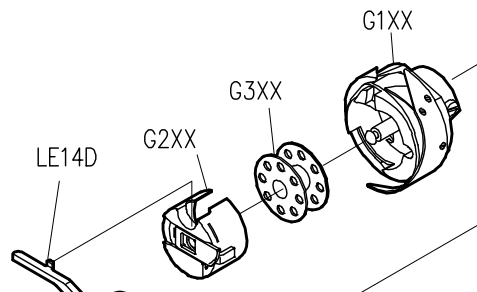
B



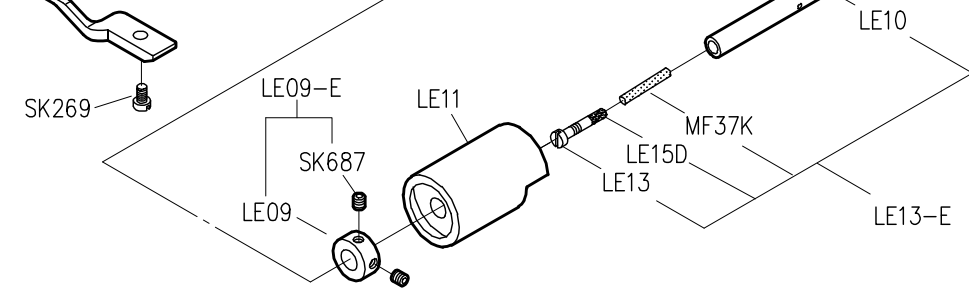
C



D

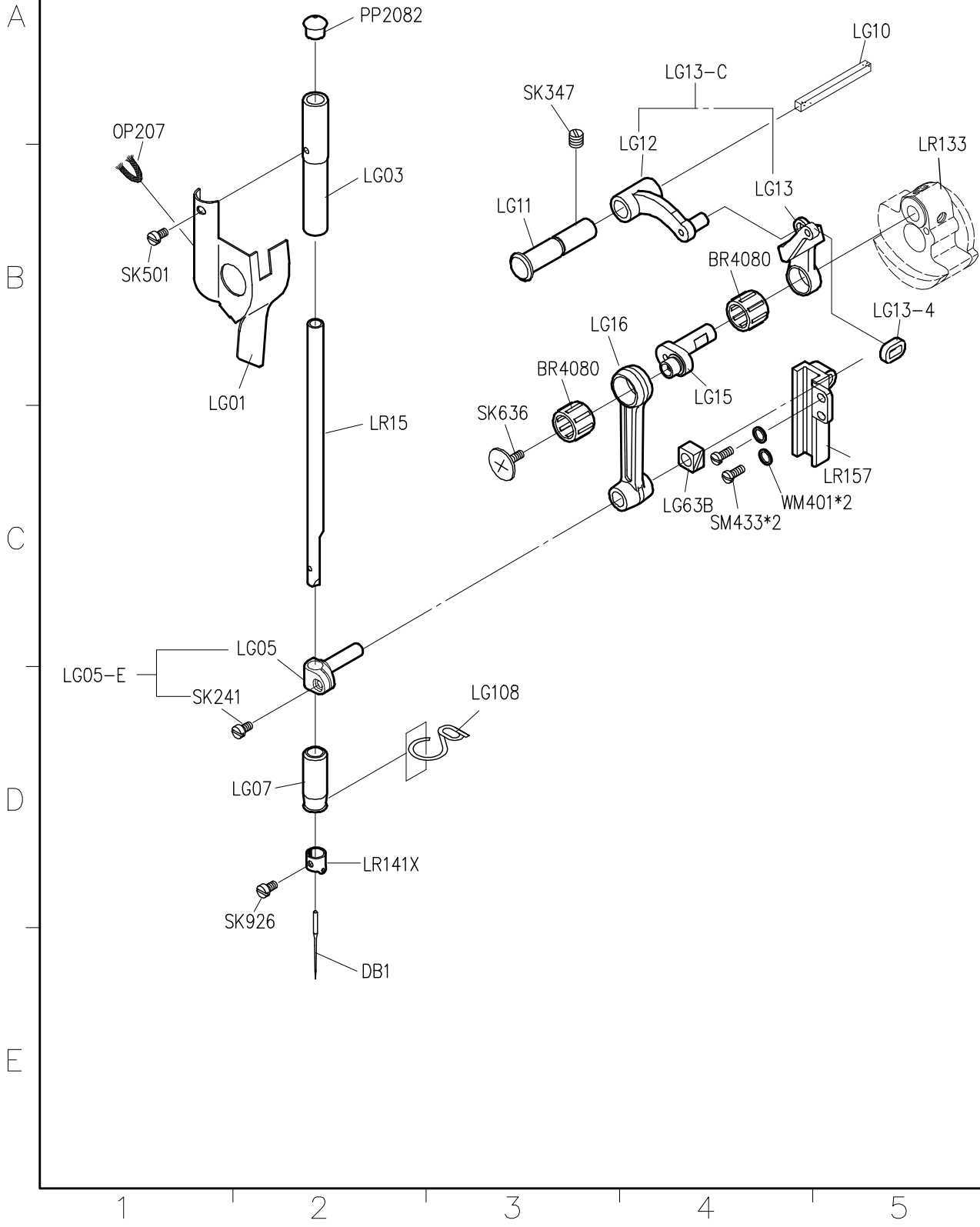


E

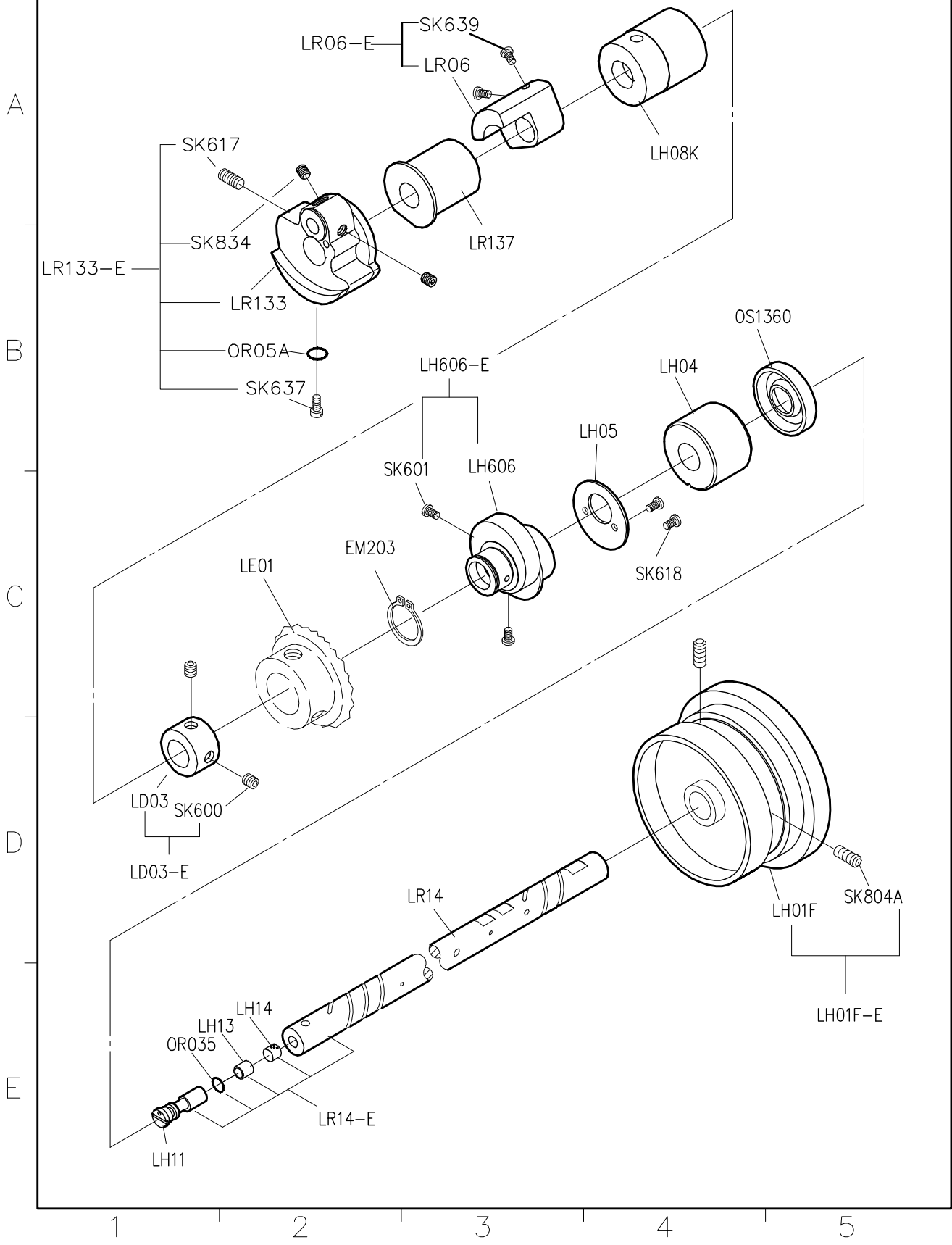


1 2 3 4 5

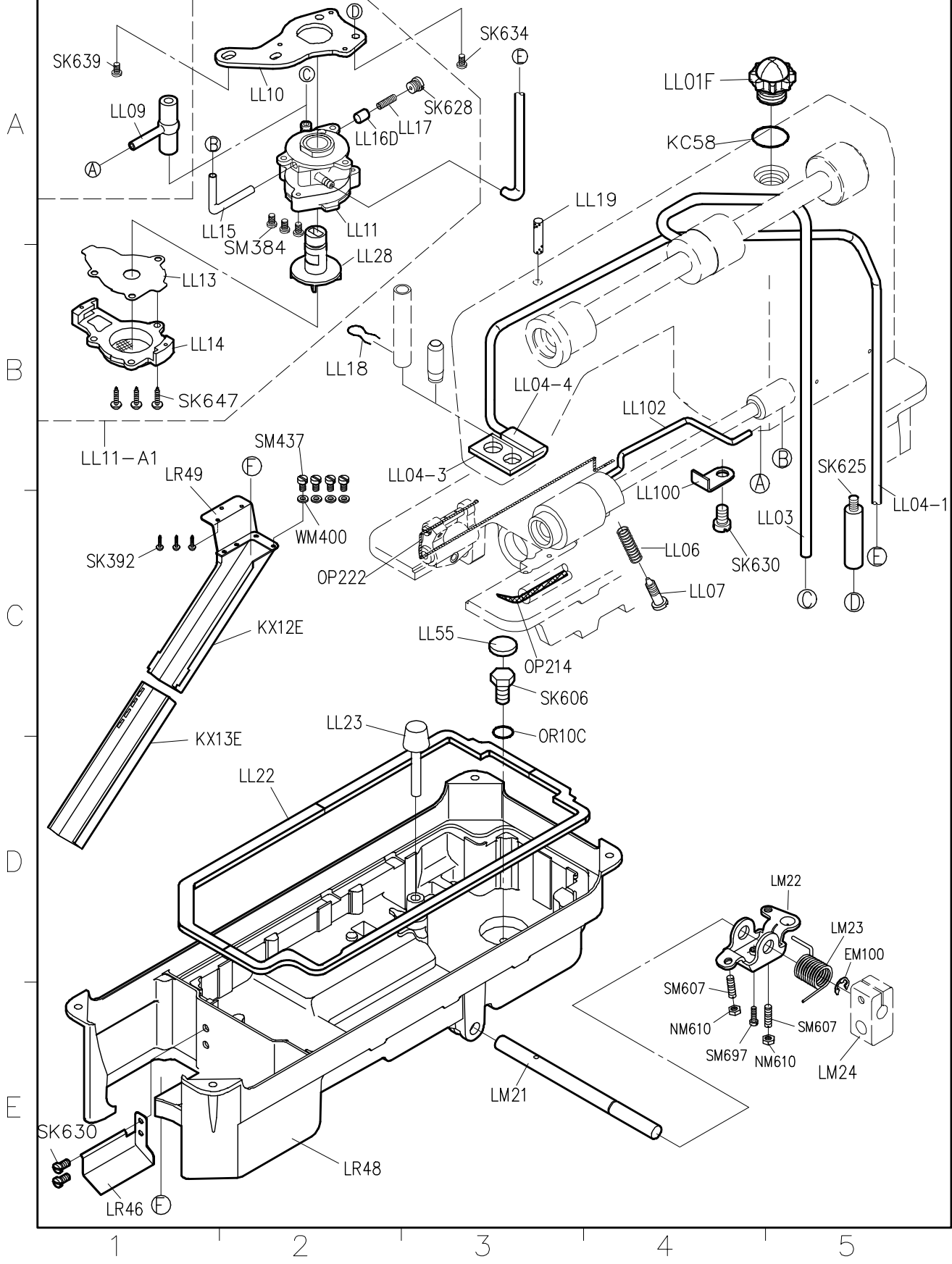
SIRUBA PARTS LIST	Series	Parts Group	Subclass / Remark	Page
	L918-RM1	LG		1/1
				Date
				2012/11/01



SIRUBA PARTS LIST	Series	Parts Group	Subclass / Remark	Page
	L918-RM1	LH		1/1
				Date
				2012/11/01



SIRUBA PARTS LIST	Series	Parts Group	Subclass / Remark	Page
	L918-RM1	LL		1/1
				Date
				2012/12/27



SIRUBA PARTS LIST	Series	Parts Group	Subclass / Remark	Page
	L918-RM1	LM		1/1
				Date
				2012/11/01

LM01H-A

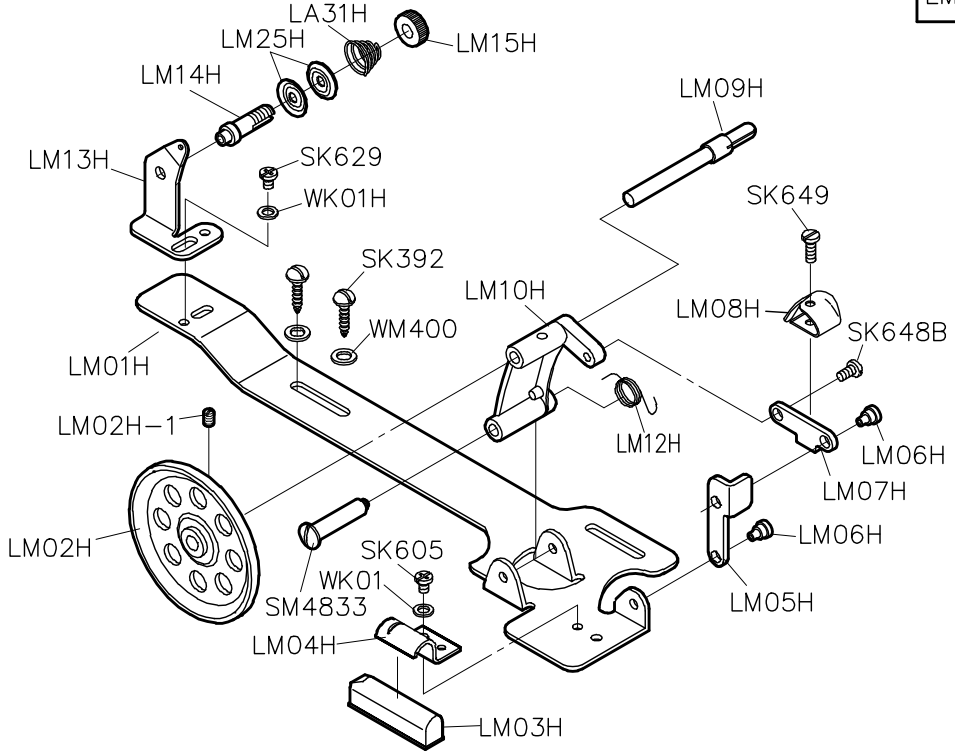
A

B

C

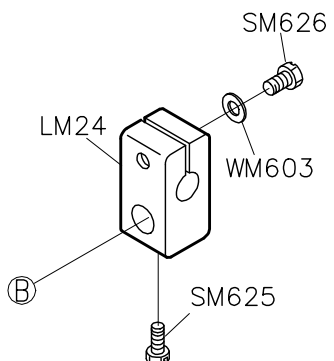
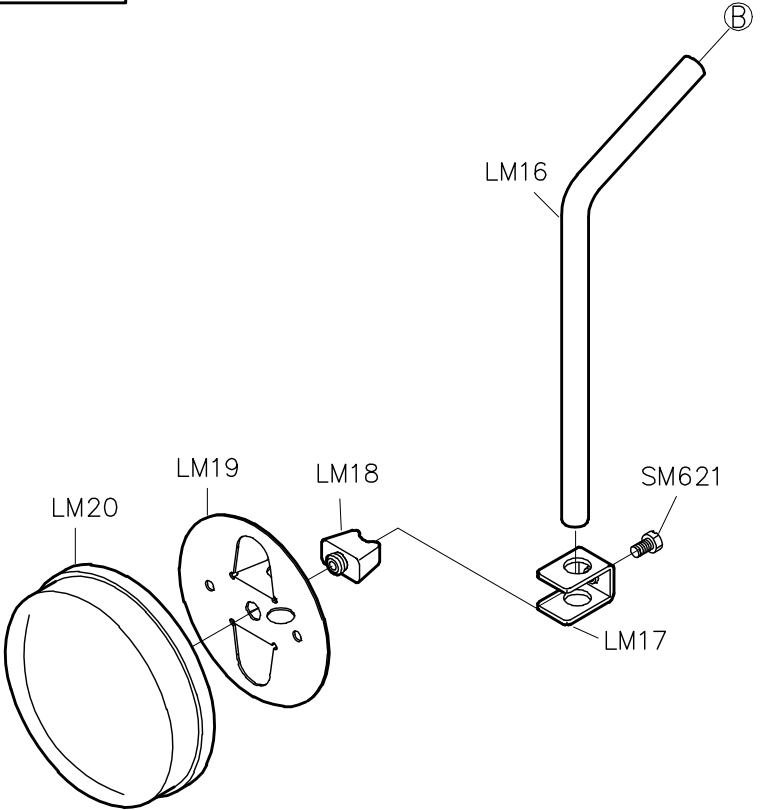
D

E



LM20-A

LM24-E



1

2

3

4

5

SIRUBA

PARTS LIST

Series

L918-RM1

Parts Group

LW

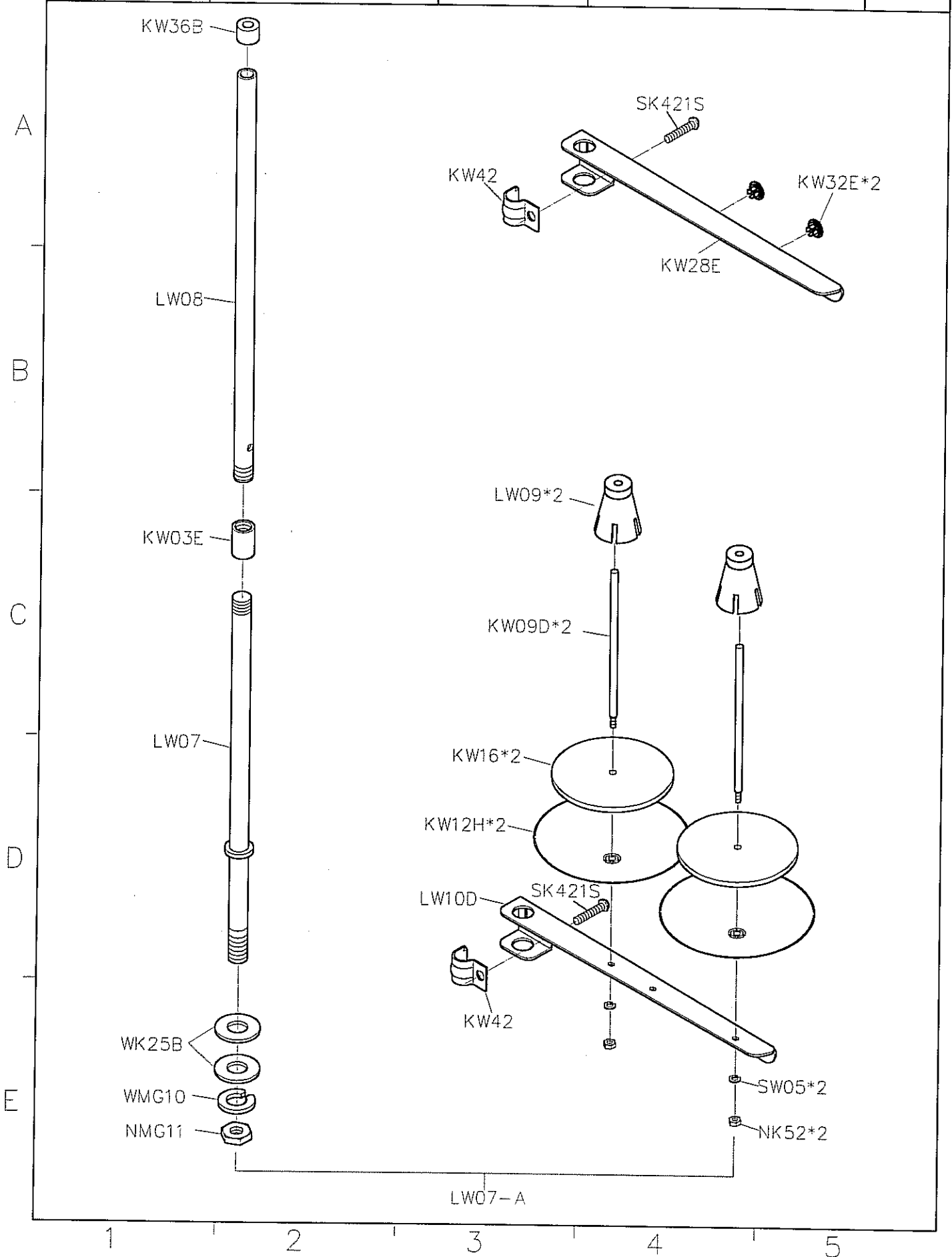
Subclass / Remark

Page

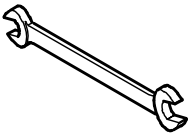

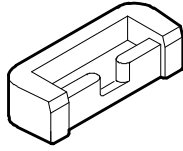
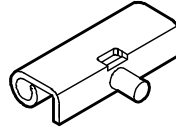

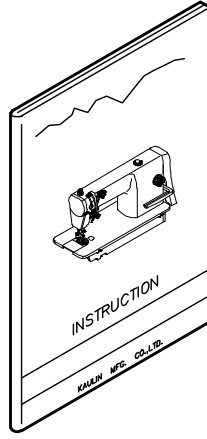
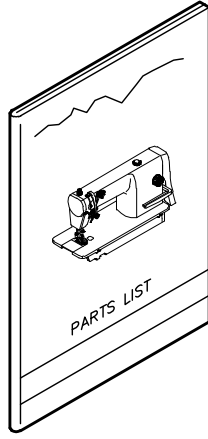
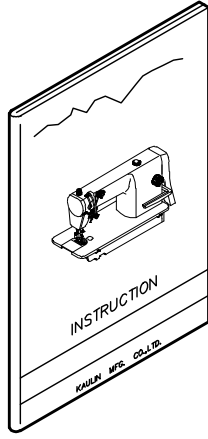
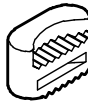






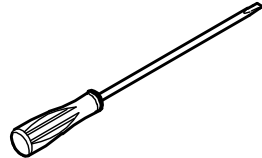
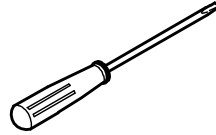
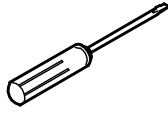
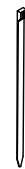
1/1

Date

2012/04/10



SIRUBA PARTS LIST	Series	Parts Group	Subclass / Remark	Page
	L918-RM1	LY		1/1
				Date
				2012/11/01

	LY01	LY02	YM04*2	LY05*2	YM102*2
A					
	LY219	LY225	LY200	YM103*2	
B					
				LY38	
C					
	針*2	KY201	G3XX	KZ03*1	LY37-A
D					
	LY33	LY34	LY35	ALT104S*2	
E					
	1	2	3	4	5

SIRUBA PARTS LIST	Series	Parts Group	Subclass / Remark	Page
	L918-RM1	LZ		1/1
				Date
				2012/11/01

